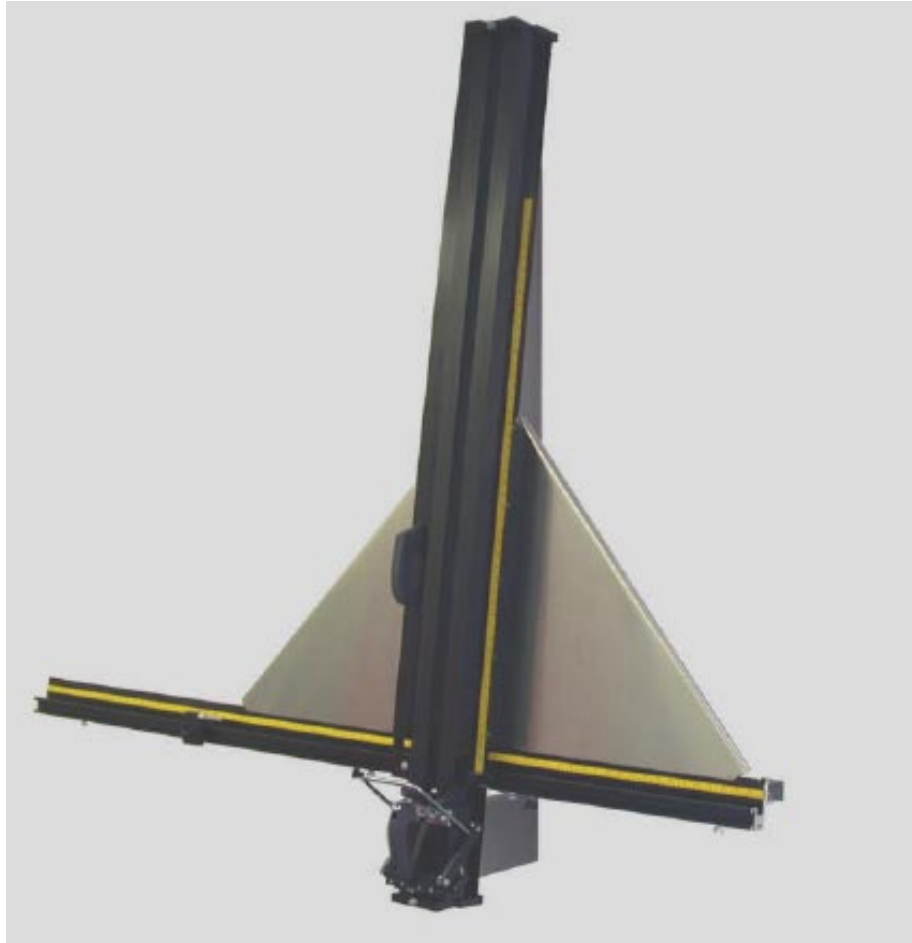


# *Onyx 90 Media Cutter*

## *Parts Manual*



*Professional Picture Frame Equipment  
441 South Whitted Street  
Hendersonville, NC 28739*

*The World's Best Media Cutter*

# Onyx 90 Media Cutter

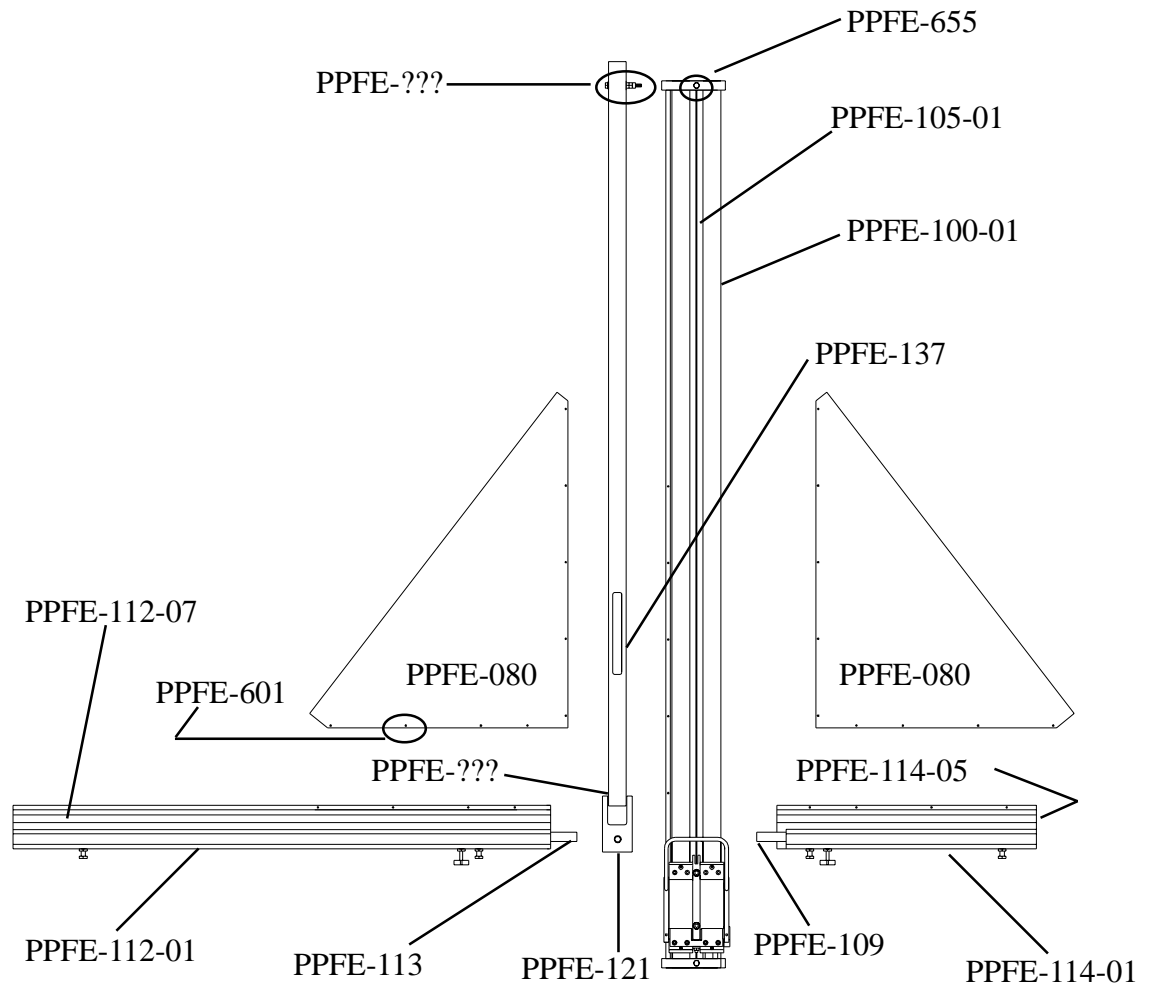
Thank you for purchasing  
the Onyx 90  
Media Cutter.

**Please read all instructions before  
operating your new machine.**

*The following parts manual gives you a complete  
breakdown of all replaceable parts for the Onyx 90*

*To order a part for your Onyx 90 please review  
this manual, make note of the listed page and part  
number and call our Office at 800-334-9060 to talk  
with a Sales associate who will gladly assist  
you with placing your order.*

# Onyx 90 Media Cutter

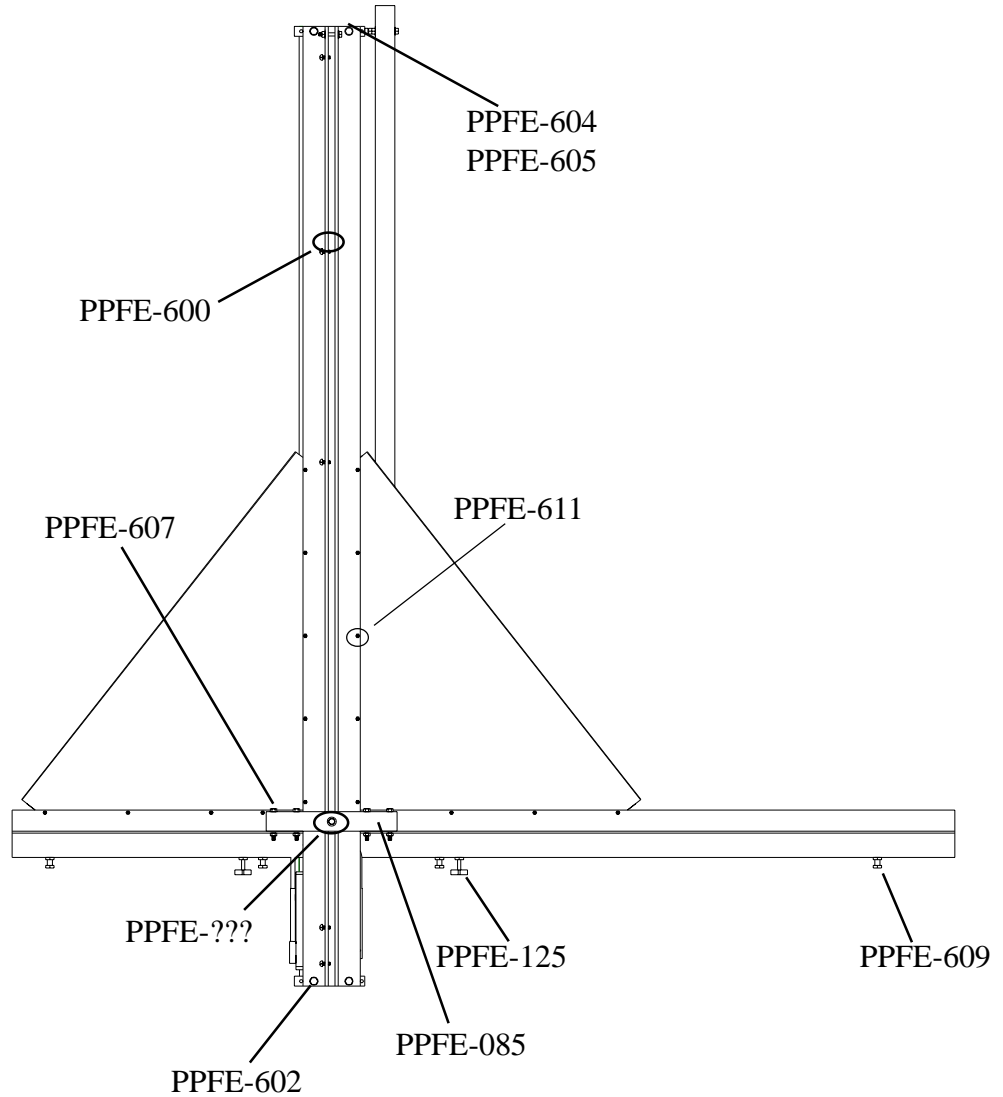


## Front Main View

PART #	DESCRIPTION	QTY
PPFE-080	Left / Right SS Gusset	2
PPFE-601	Machine Screw	18
PPFE-???	Top Media Clamp Bearing Assy	1
PPFE-???	Lower Media Clamp Bearing Assy	1
PPFE-121	Lower Media Clamp Bracket	1
PPFE-137	Media Clamp Handle	1
PPFE-112-01	Horizontal Extrusion - Left side	1
PPFE-114-01	Horizontal Extrusion - Right side	1
PPFE-655	Hex Cap Screw (Top & Bottom)	2
PPFE-112-07	Horiz-R to L Measuring Scale 50"	1
PPFE-105-01	Vert.-L to R. Measuring Scale 50"	1
PPFE-113	Left Side Cutting Bed	1
PPFE-109	Right Side Cutting Bed	1
PPFE-114-05	Horiz-L to R. Measuring Scale 50"	1
PPFE-100-01	Vertical Extrusion	1

The World's Best Media Cutter

# Onyx 90 Media Cutter



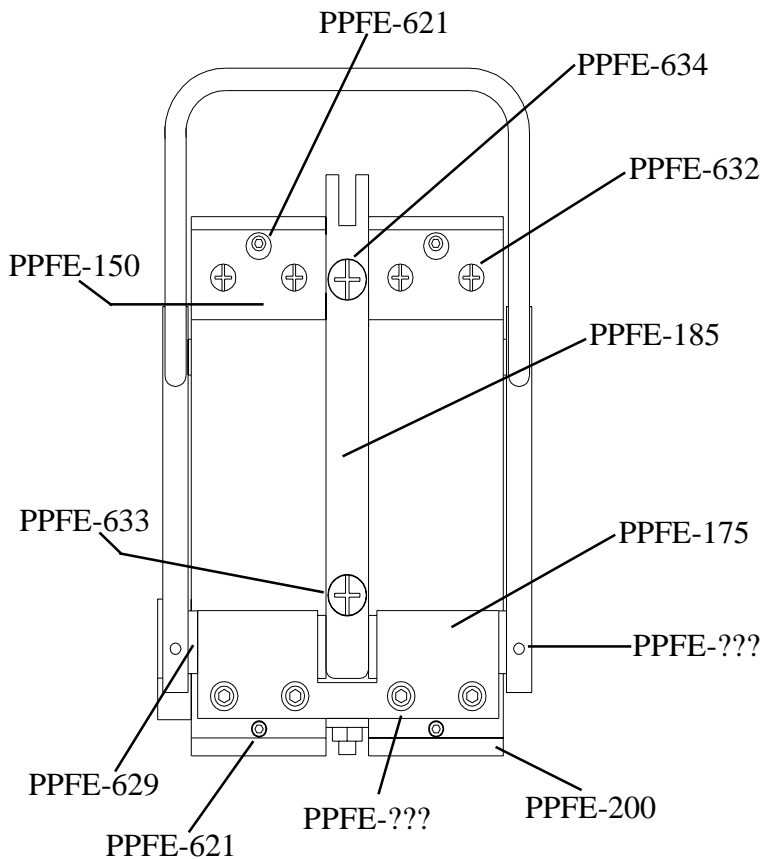
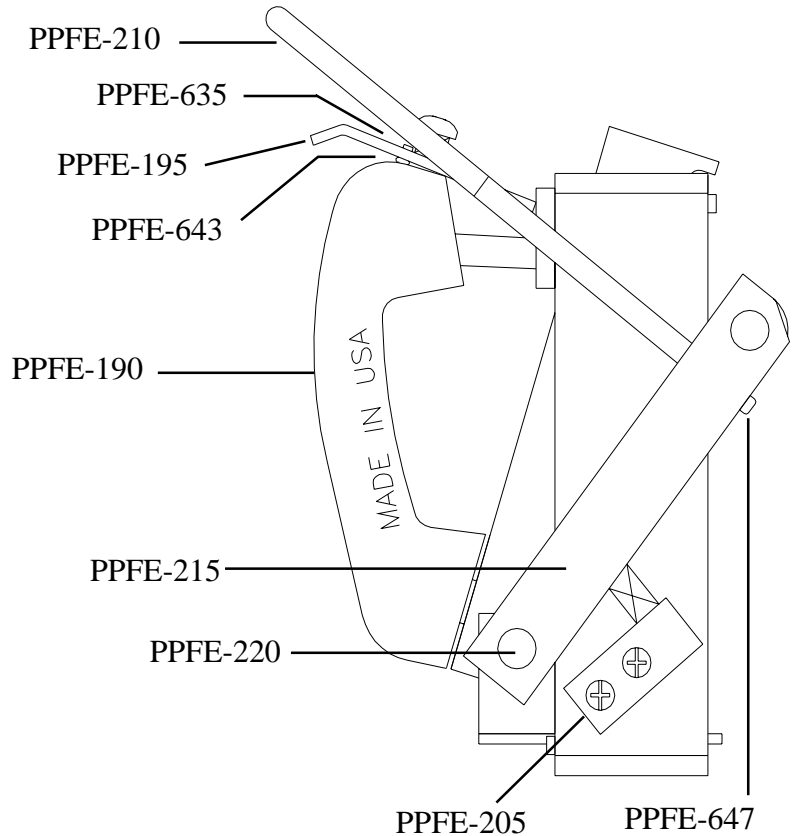
## Rear Main View

PART #	DESCRIPTION	QTY
PPFE-125	Star shaped knob	2
PPFE-609	Hex Head Screw	4
PPFE-611	Nylon Stop Nut	18
PPFE-???	Lower Strap Clamp Bolt Assy	1
PPFE-602	Bearing tube fasteners	4
PPFE-600	Wall Mounting Fasteners	5
PPFE-607	Extrusion Attaching fasteners	4
PPFE-604	Hex Cap Bolt	1
PPFE-605	Nylon Stop Nut	1
PPFE-085	Horizontal Tube Mounting Bracket	1

# Onyx 90 Media Cutter

**Cart Assembly - Side View**

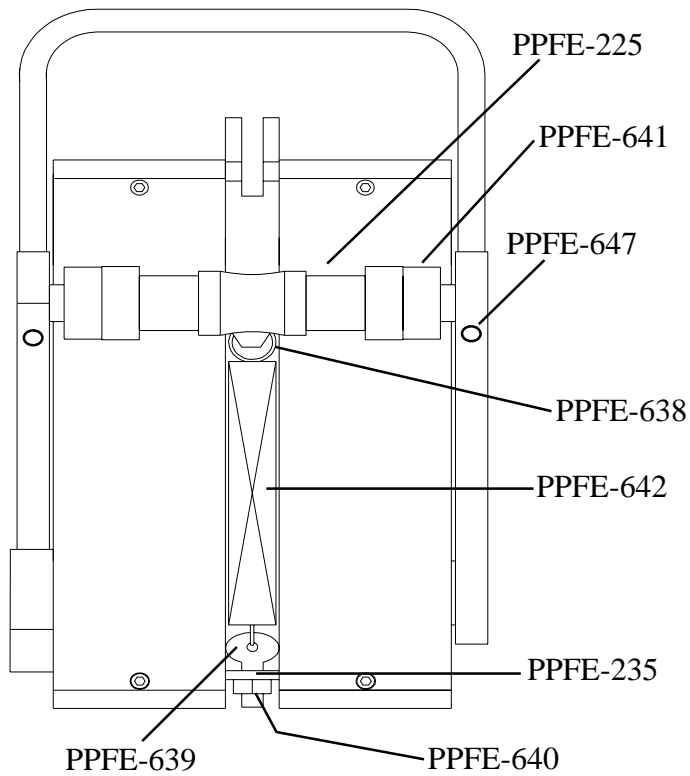
PART #	DESCRIPTION	QTY
PPFE-190	Cart Handle	1
PPFE-210	Acrylic Cracker Handle	1
PPFE-195	Stop Finger	1
PPFE-205	Acrylic spring retainer	1
PPFE-635	Compression Spring	1
PPFE-215	Acrylic Roller Lever	1
PPFE-220	Acrylic lever axials	2
PPFE-643	O-Ring	1



**Cart Assembly - Front View**

PART #	DESCRIPTION	QTY
PPFE-621	Easy Drive Screw Nail	14
PPFE-634	CRMS Screw	1
PPFE-632	CRMS Screws	4
PPFE-150	Steel Stop Plate	1
PPFE-185	Main Pivot Block	1
PPFE-633	CRMS Screw	1
PPFE-175	Pivot Block Housing	1
PPFE-???	Pan Head Screws	2
PPFE-200	Cart Bearings	4
PPFE-???	CRMS Screws	4
PPFE-626	Star washers	4
PPFE-629	Bronze flange bearings	4

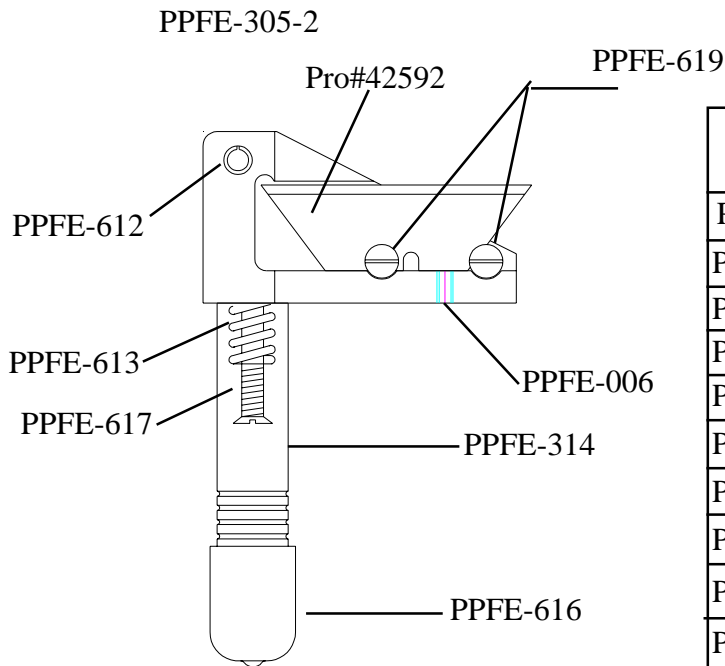
# Onyx 90 Media Cutter



**Cart Assembly - Rear View**

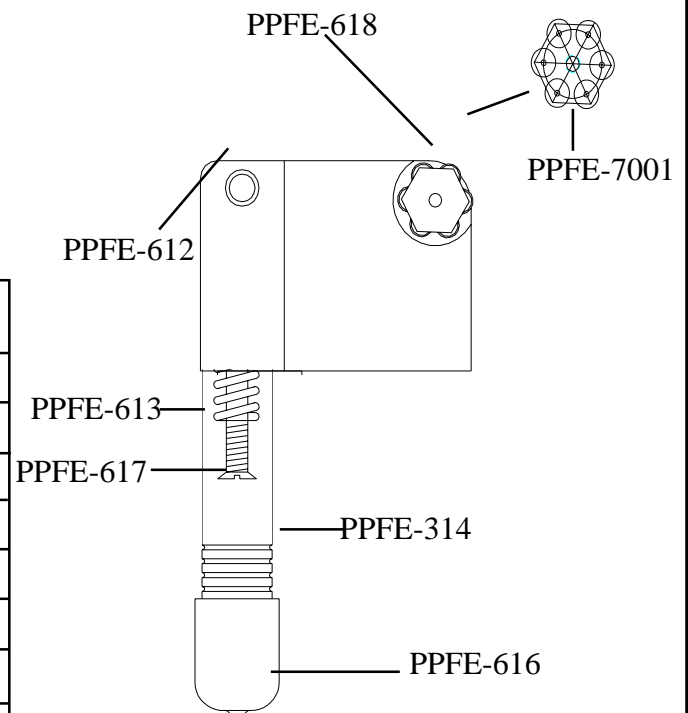
PART #	DESCRIPTION	QTY
PPFE-225	Acrylic Roller	1
PPFE-641	Shaft Lock Collars	2
PPFE-647	Pan Head Screws	2
PPFE-638	Machine Screw	1
PPFE-642	Extension Spring	1
PPFE-235	Spring Anchor Bracket	1
PPFE-639	Spring Anchor Bolt	1
PPFE-640	Nylon Locknut	1

# Onyx 90 Media Cutter

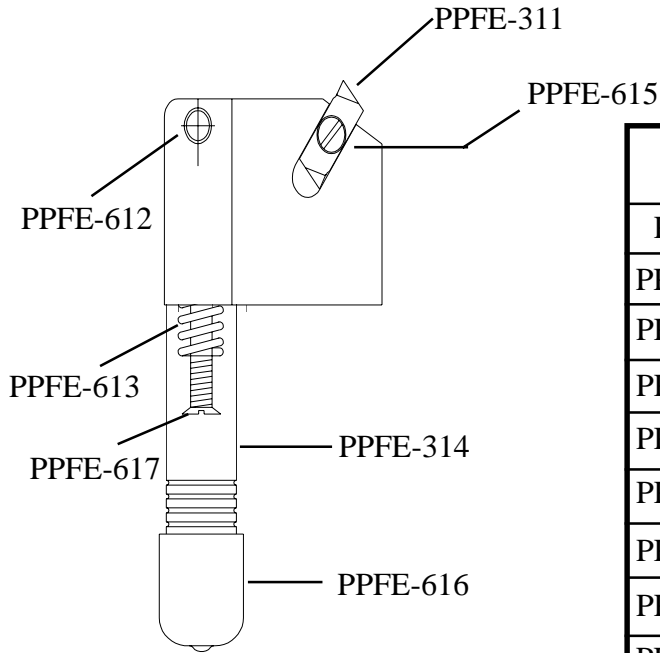


Mat Cutting Tool Holder (Blade sold separately)		
PART #	DESCRIPTION	QTY
PPFE-305-2	Mat cutting tool holder	1
PPFE-619	6-32 Pan Head Screws 1/4"	2
PPFE-006	Blade depth adjust screw 10-24	1
PPFE-314	Handle	1
PPFE-616	Plastic grip Black	1
PPFE-612	Steel slotted spring pin	1
PPFE-617	Flat Head Screw (Inside handle)	1
PPFE-613	Compression Spring (Inside handle)	1
Pro#42592	Mat Cutting Blades (100/pk)	1

Glass Cutting Tool Holder (Turret sold separately)		
PART #	DESCRIPTION	QTY
PPFE-302	Glass cutting tool holder	1
PPFE-314	Handle	1
PPFE-616	Plastic Grip Red	1
PPFE-617	Flat Head Screw (Inside handle)	1
PPFE-613	Compression Spring (Inside handle)	1
PPFE-612	Steel slotted spring pin	1
PPFE-7001	Glass Turret (6 carbide wheels)	1
PPFE-618	Metric Machine Screw	1

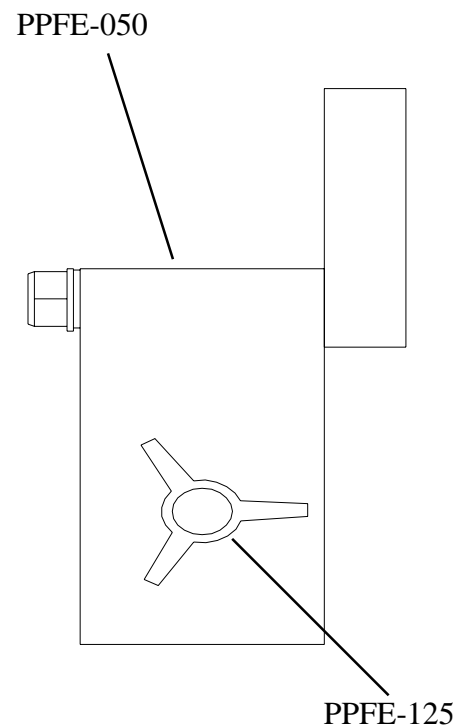


# Onyx 90 Media Cutter



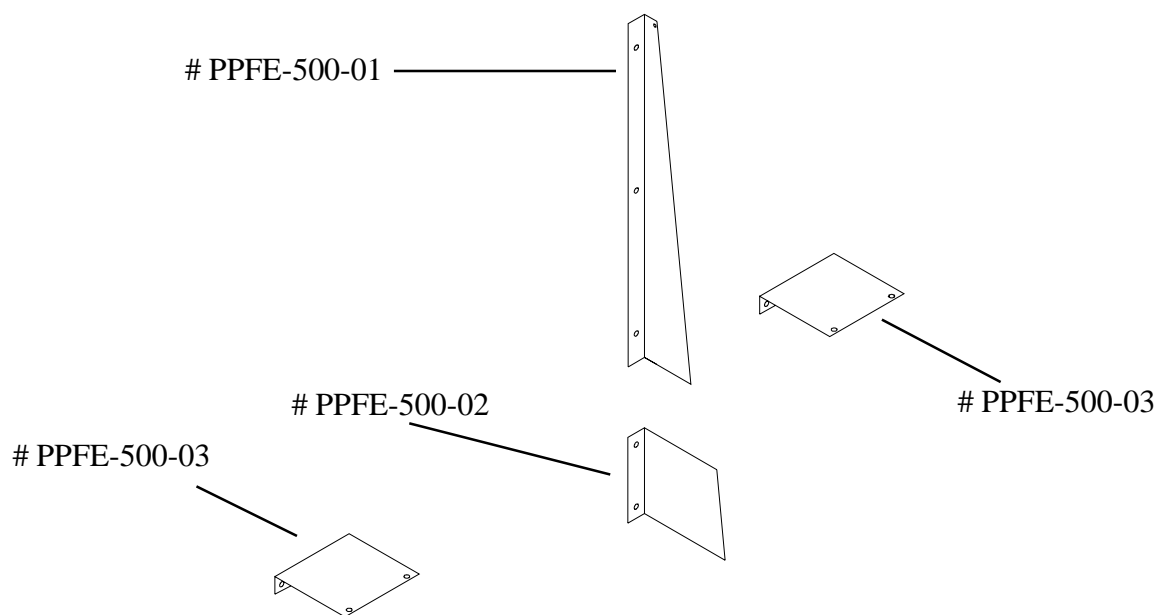
Acrylic Cutting Tool Holder (Carbide Cutter sold seperately)		
PART #	DESCRIPTION	QTY
PPFE-310	Acrylic tool holder	1
PPFE-314	Handle Assembly	1
PPFE-616	Plastic Grip Blue	1
PPFE-311	Carbide Cutter (2 ended)	1
PPFE-615	Blade set screw	1
PPFE-612	Steel slotted spring pin	1
PPFE-617	Flat Head Screw (Inside handle)	1
PPFE-613	Compression Spring (Inside handle)	1

Production Stop		
PART #	DESCRIPTION	Qty
PPFE-050	Production Stop Assembly	1
PPFE-125	Star Shaped Knob	1



# Onyx 90 Media Cutter

Mounting Brackets		
PART #	DESCRIPTION	Qty
PPFE-500-01	Top Mounting Bracket	1
PPFE-500-02	Bottom Mounting Bracket	1
PPFE-500-03	Left or Right Mounting Bracket	2
PPFE-637	Wall mount hardware bag	1



# Onyx 90 Media Cutter

## Boxes Included with Onyx 90 Machine

<b>Hardware Box</b> <b>4 Parts Bags included in each box</b>		
PART #	DESCRIPTION	Qty
PPFE-A637	Wall Mount Hardware Box (Complete)	1
PPFE-A665	#10 x 1" Pan Head - Bag #1	10
PPFE-A664	Screw Anchors - Bag #1	10
PPFE-A663	13/32" Flat Washer - Bag #1	10
PPFE-A632	1/4-20 x 1/2" CRMS Fastener - Bag #2	4
PPFE-A607	1/4-20 x 2" CRMS Fastener - Bag #2	4
PPFE-A625	1/4 Flat Washer - Bag #2	8
PPFE-A653	1/4-20 Nylock Nut - Bag #2	8
PPFE-A601	4/40 x 3/8" Machine Screw - Bag #3	20
PPFE-A611	4/40" Nylock Nut - Bag #3	20
PPFE-A602	5/16-18 x 3/4" Hex Cap Screw - Bag #4	4
PPFE-A603	5/16-18 Flat Washer - Bag #4	4

### **Tooling Package Box**

PPFE-305-2 Mat Cutting Tool Holder	1
PPFE-310 Acrylic Cutting Tool Holder	1
PPFE-302 Glass Cutting Tool Holder	1
PPFE-0024 Spare Blades for Mat Cutter	1
PPFE-A662 1/4" Allen Wrench for Mat Cutter	1